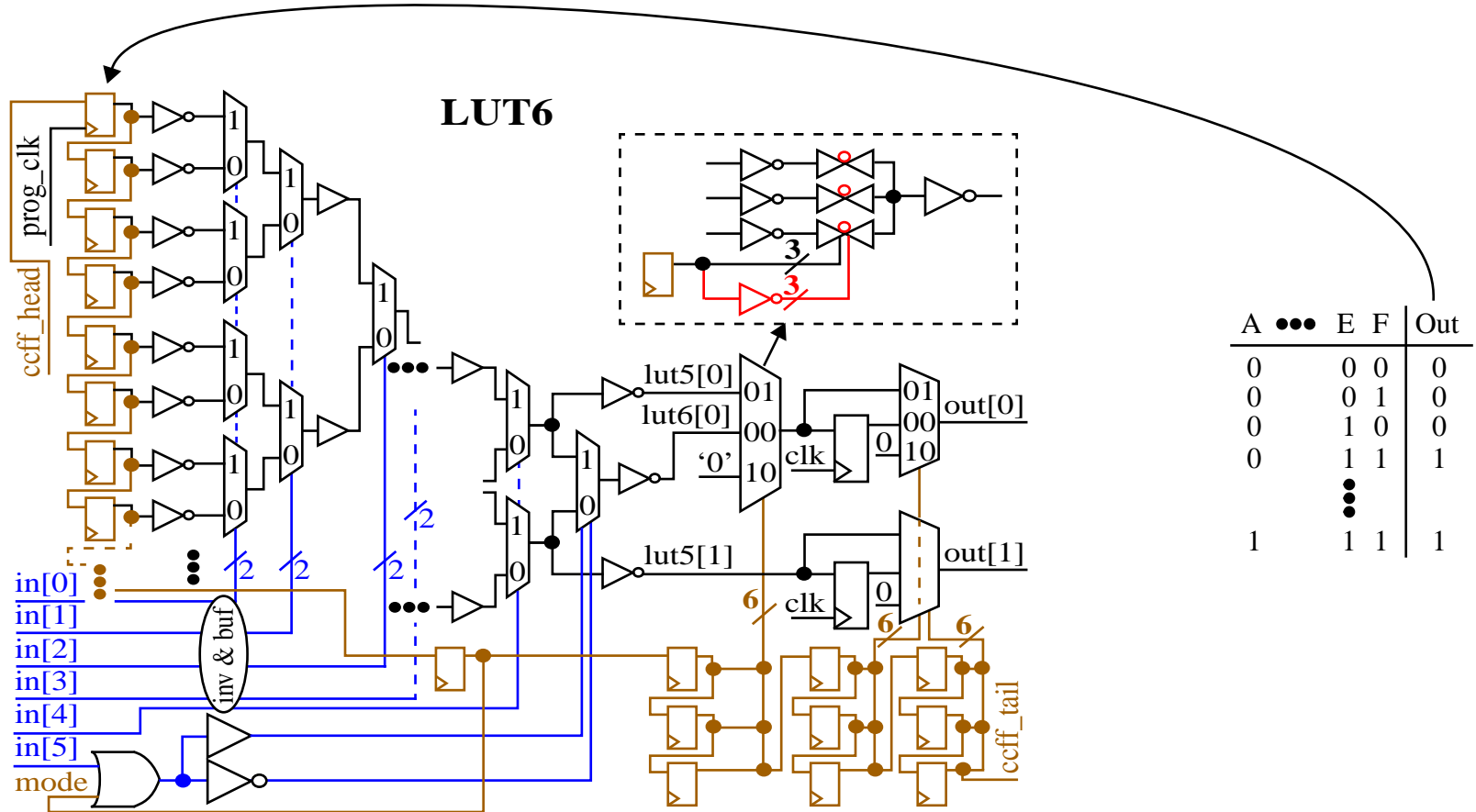


FPGA Architectures

Modern FPGA architectures contain basic building blocks in programmable logic, LUTs and switch boxes, and embedded components, block RAMs (BRAMs), digital signal processing (DSP) blocks, digital clock managers (DCMs or MMCMs), etc

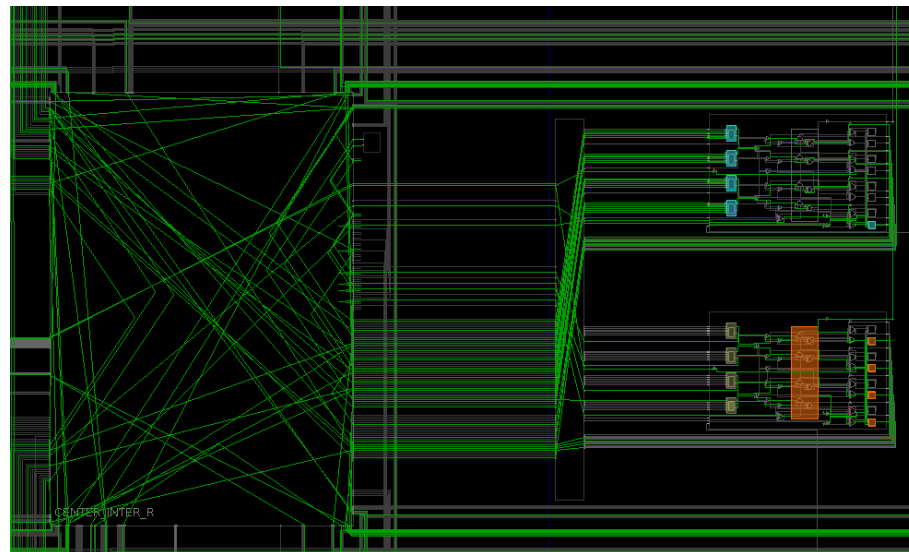
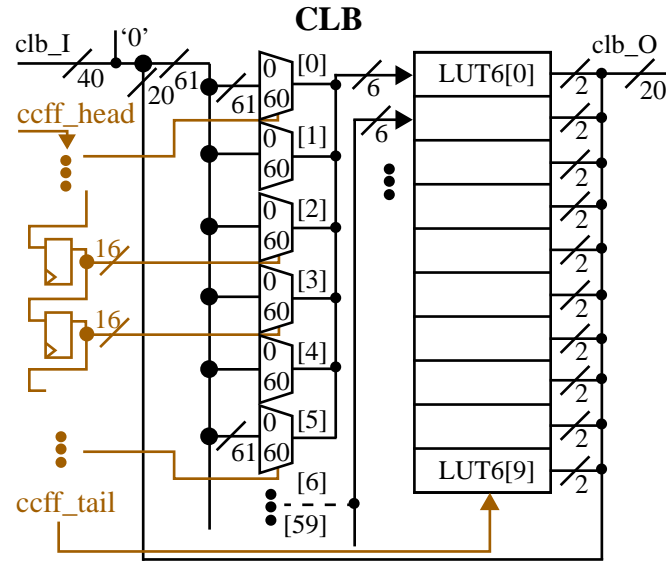
System-on-chip (SoC) devices integrate a processor system (PS), which consists of a microprocessor(s), DRAM, hardwired interconnect, dynamic memory access (DMA) engines, etc.

The look-up table (LUT) is a basic building block that is used to implement logic gates, AND, OR, XOR, etc



FPGA Architectures

Configurable logic blocks: Collection of LUTs and local routing:



FPGA Architectures

Chip level architecture:

